



## PACKAGING MODE

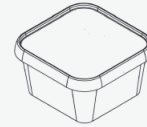
OUTSTANDING PRINTED POTS



### Technical Data Sheet Container SQ 250 ml 94x94, lid Product code: [250\\_94x94](#)

#### 1. Dimensions

Shape:	Square
Volume under lid:	250 ml
External diameter top (with lid)	94x94 mm
External diameter bottom	71x71 mm
Height (with lid)	50.10 mm



#### 2. Closure system

Closure type:	Snap-On
Lid type options:	For melting

#### 3. Weight\*

Container:	8.57 g
Standard Lid:	5.16 g

\*the weight can have +/-3 % error

#### 4. Handle

Handle available:	No
-------------------	----

#### 5. Raw material

Container	PP
Lid	PP
Label (IML)	PP



Masterbatch colours: Standard colours or colours coordinated according to customer's presented colour pallet or sample.

Approvals: All raw materials and masterbatches used in the production process have the appropriate food contact approvals.



#### 6. IML Decoration

Container	Yes
Container bottom	Yes
Lid	Yes

#### 7. Other characteristics

Uses:	Containers with lids are intended for direct contact with watery, acidic, fat food and non-food products.
Hot filling:	Packaging is suitable for contact with the hot filling (85°C - 95°C) and short-term use in the microwave up to 100°C for no longer than 15 minutes. Containers with lids are not suitable for long-term use in the microwave or for heating food in the oven. It is necessary to test containers and lids under real conditions with actual product before approval for use at high temperatures.
Cold temperatures:	Package made from the special cold-resistant material can be used at temperatures below -20 °C . It is produced according to customer requirements. It is necessary to test containers and lids under real conditions with actual product before approval for use at low temperatures.
Storage:	Suitable storage include protection of direct sun light, rain, very high temperatures over a long period. Package must be not more than 2.4 m in height and at least 1 m away from the heat source. Recommended period of storage - 12 months after delivery to suitable storage.



## PACKAGING MODE

OUTSTANDING PRINTED POTS

### Technical Data Sheet Container SQ 250 ml 94x94, lid Product code: [250\\_94x94](#)

#### 8. Packing

Containers per carton box	1,206	pcs.
Standard lids per carton box	1,440	pcs.
Carton boxes per pallet	24	pcs.
Containers per pallet	24,120	pcs.
Standard lids per pallet	28,800	pcs.
Height including pallet	2.1	m

\*box size - 400 mm x 600 mm x 400 mm

#### 9. Other information

Please contact us by email [info@packagingmode.com](mailto:info@packagingmode.com) or phone 020 8530 2400 for further information

#### 10. Examples



Valid from June 2025, v3

Packaging Mode Ltd.  
Company Registered in England. No: 7624842  
VAT Registration Number: 121098247

Units 308-309  
20 Mortlake High Street  
London SW14 8JN

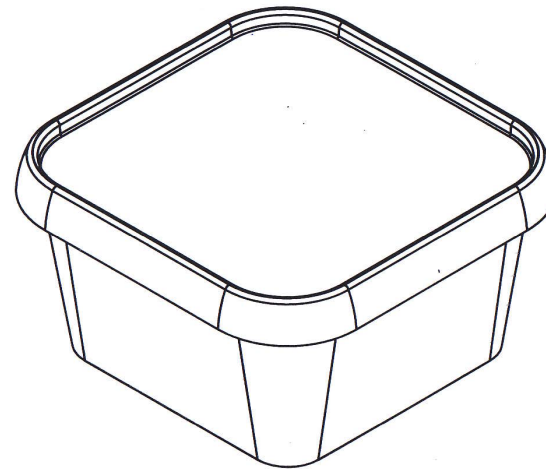
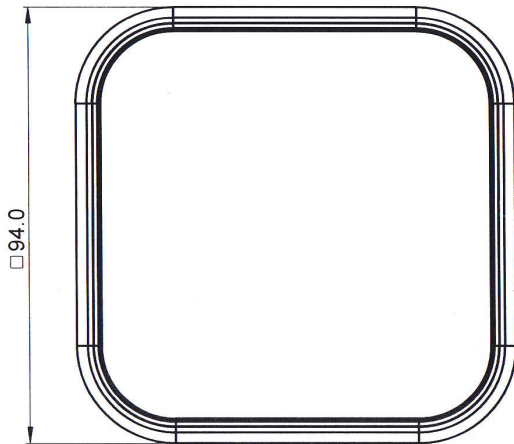
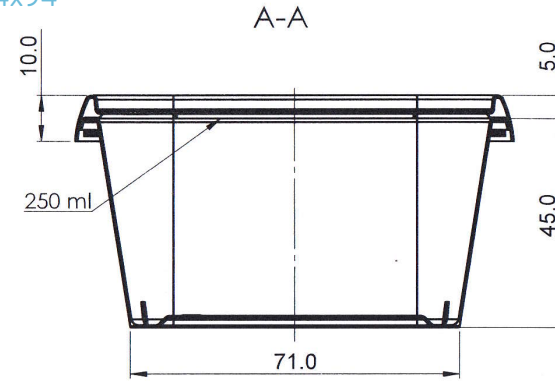
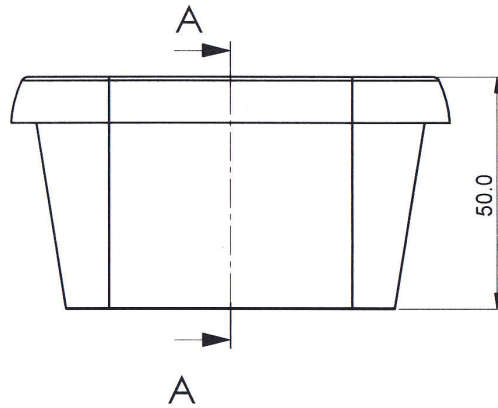
Tel. 020 8530 2400  
[info@packagingmode.com](mailto:info@packagingmode.com)  
[www.packagingmode.com](http://www.packagingmode.com)



## PACKAGING MODE

OUTSTANDING PRINTED POTS

Technical Data Sheet  
Container SQ 250 ml 94x94, lid  
Product code: [250\\_94x94](#)



Packaging Mode Ltd.  
Tel. 020 8530 2400

[info@packagingmode.com](mailto:info@packagingmode.com)  
[www.packagingmode.com](http://www.packagingmode.com)